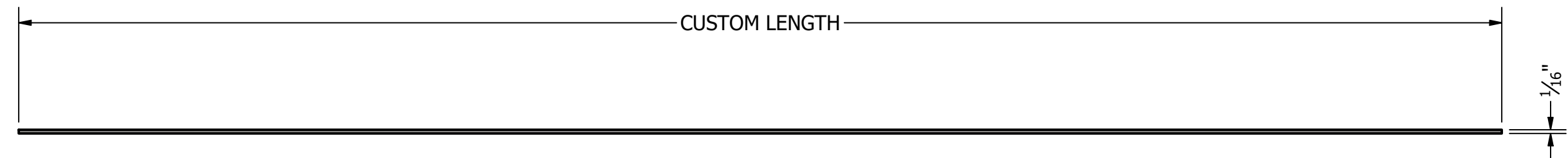
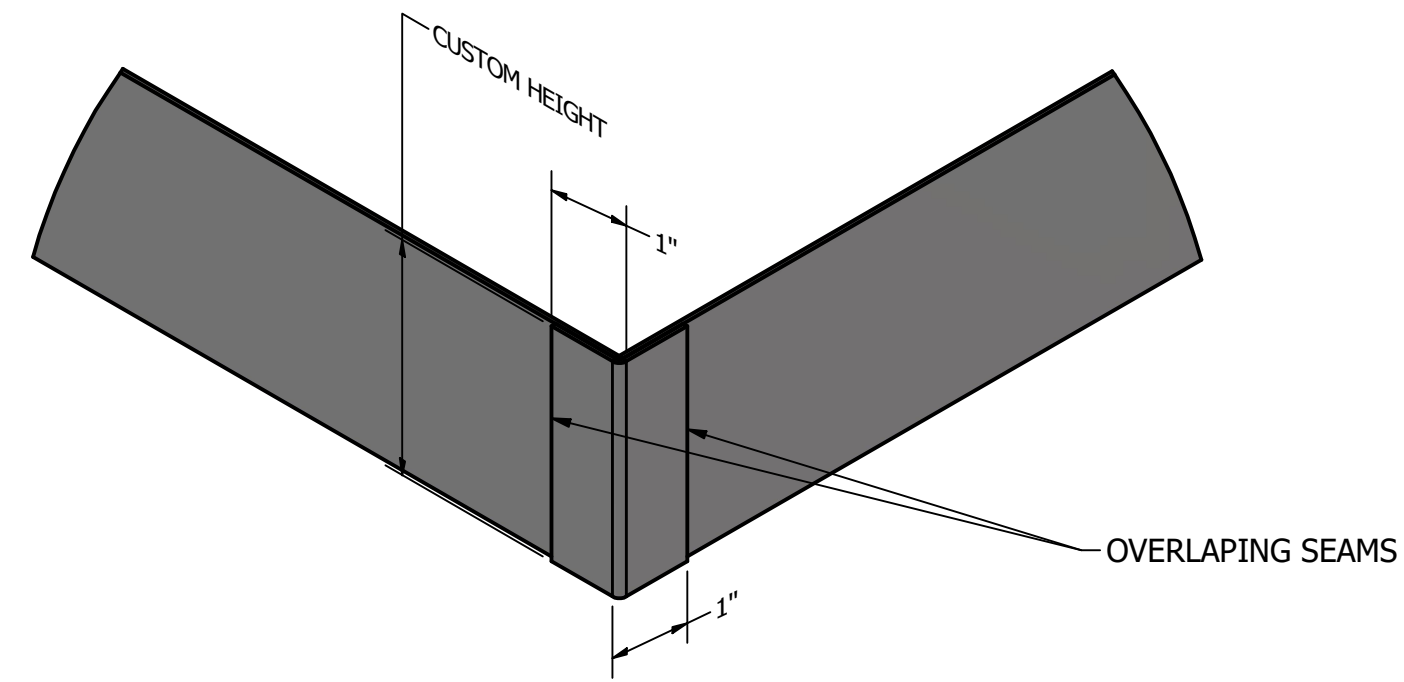


ITEM:	TOEKICK
QTY:	1

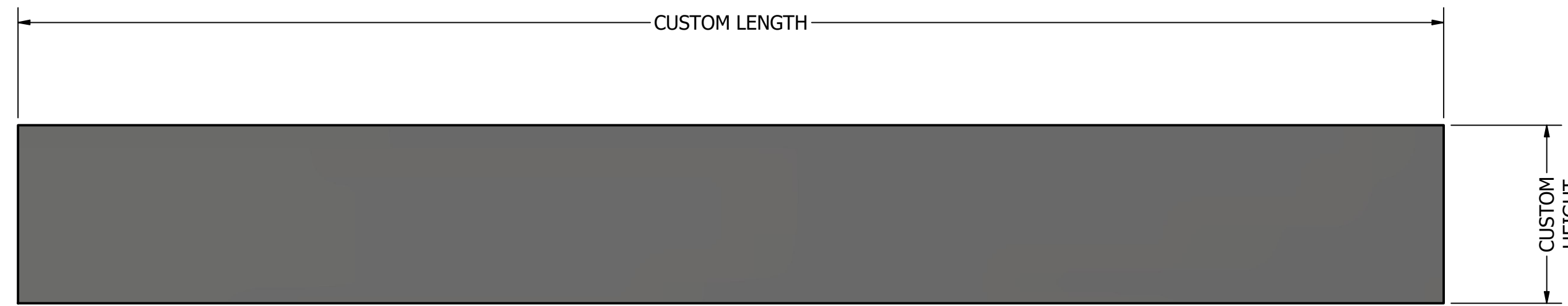
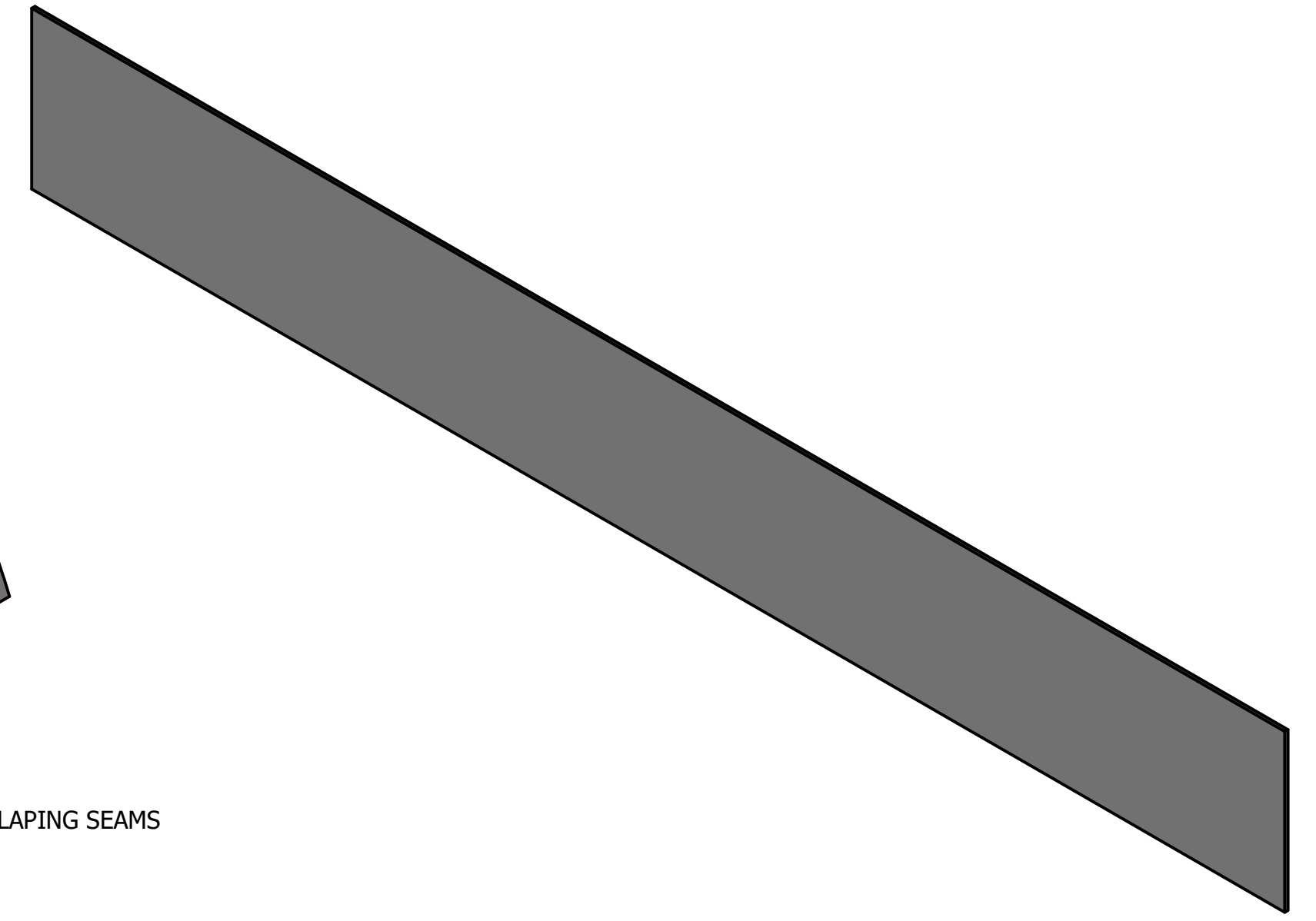
TOE KICK



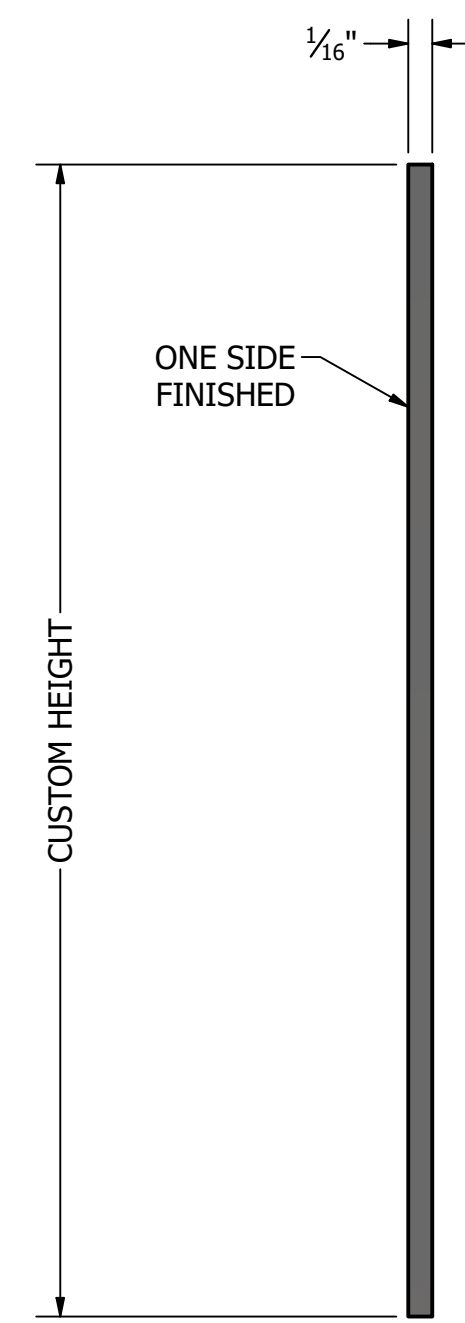
PLAN VIEW
SCALE 6" = 12"



**CORNER ANGLE
ACCESSORY**
SCALE 6" = 12"



FRONT ELEVATION
SCALE 6" = 12"



SIDE ELEVATION
SCALE 2 : 1

MATERIAL FINISH PER CUSTOMER SELECTION
TECHNICAL SPECIFICATIONS AND INSTALLATION
INSTRUCTIONS AVAILABLE ON THE PRODUCT WEBSITE

THESE PLANS AND THE DESIGNS CONTAINED HEREIN ARE THE PROPERTY OF GREAT LAKES STAINLESS, INC., AND MAY NOT BE REPRODUCED OR USED BY ANYONE, EITHER ALL OR IN PART, WITHOUT FIRST SECURING OUR WRITTEN PERMISSION.

DRAWN RICK		1305 STEPKE COURT TRAVERSE CITY, MI. 49685 (888) 547-5282
PROJECT MANAGER:		JOB NAME : TOEKICK
REVISIONS:	CUSTOMER :	ITEM#:
TOLERANCES UNLESS OTHERWISE STATED: XXX ±.0002 XXX ±.005 XX ±.010 FRACTIONAL ±1/8" ANGLES ±1/2°	SIZE D	TOEKICK
	DATE: 10/1/2021	SHEET 1 OF 1